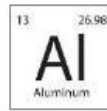
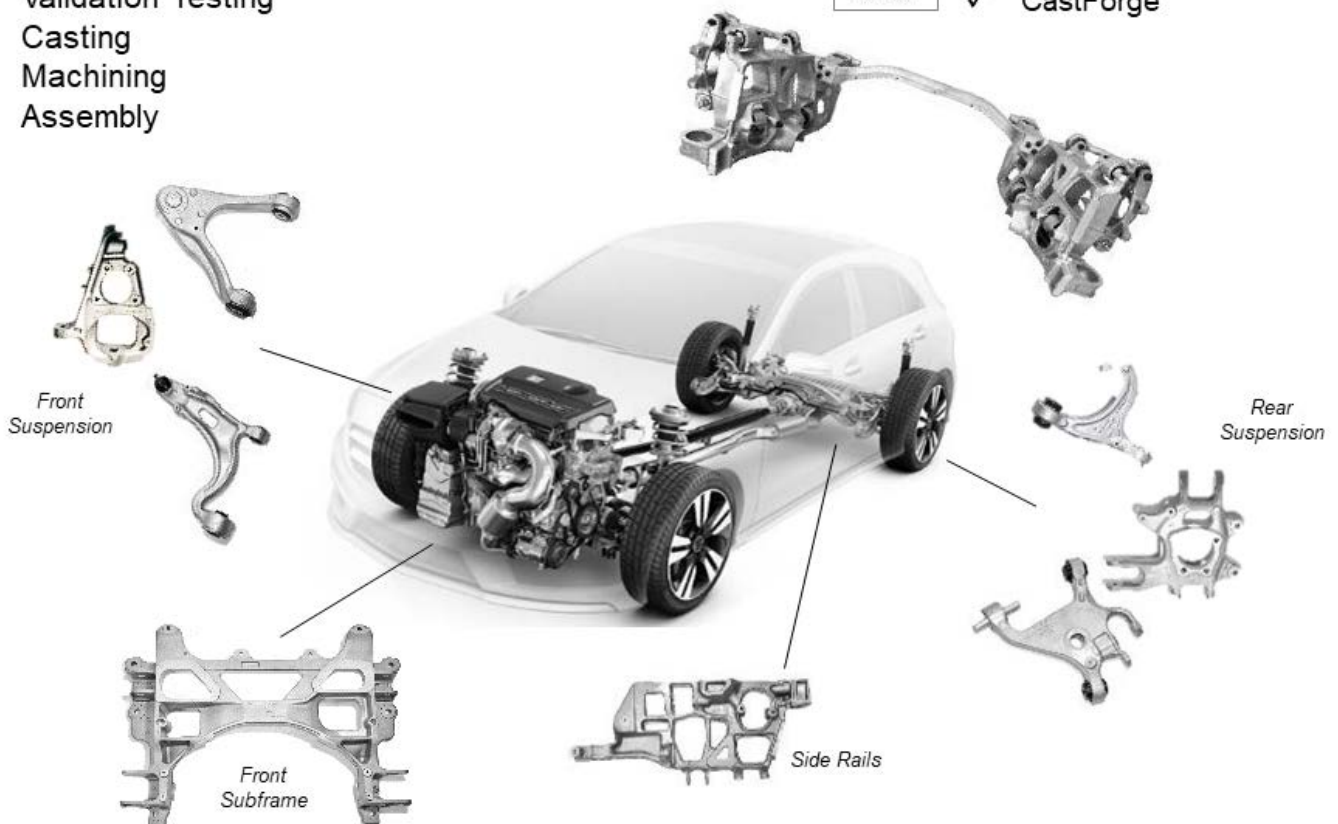


**April 27, 2020, Andrézieux, FRANCE:** Anderton Castings announces the successful Start Of Production of complete Front and Rear Suspension for an electric vehicle from design to validation testing.

- ✓ 15 Part Numbers
- ✓ Design & Analysis
- ✓ Validation Testing
- ✓ Casting
- ✓ Machining
- ✓ Assembly



- ✓ Gravity
- ✓ Low Pressure (PCPC)
- ✓ CastForge



**CONTACT US:**  
**INFO@ANDERTONLAB.COM**

*Anderton Castings, an international, competitive, aluminum casting company with locations in; Troy, TEXAS, Monterrey, MEXICO and Andrézieux, FRANCE. Anderton Castings offers its customers Best-In-Class operations, Zero defects, on-time delivery of competitive products for the automotive and other applications.*

[www.AndertonCastings.com](http://www.AndertonCastings.com)

